



CLOSED LOOP WIND TUNNELS

Wind Tunnels for All Testing Needs

Advanced Thermal Solutions offers a comprehensive selection of research-grade closed-loop wind tunnels for companies in the electronics and power industries, ranging in weight from 156 to 2300 pounds and in height from 27" to 124". Whether your needs can be handled by a bench-top version or room-sized version, ATS is there to meet your needs.

Technical Comparison

Product	Length	Width	Height	Weight	Test Domain (L x W x D)	Sensor Ports	Flow Range	Temperature Range
CLWT-067	56.5" (143.6 cm)	19.4" (49.3 cm)	26.6" (67.7 cm)	156 lbs (70.7 kg)	16.4" x 8.9" x 3.7" (41.8 cm x 22.5 cm x 9.5 cm)	6	0 to 1400 fpm (0 to 7 m/s)	52°F to 185°F (-10°C to 85°C)
CLWT-115	87" (221 cm)	19.4" (49.3 cm)	34" (86.5 cm)	226 lbs (102 kg)	30.5" x 10.2" x 4.5" (77.6 cm x 26 cm x 11.5 cm)	6	0 to 1000 fpm (0 to 5 m/s)	52°F to 185°F (-10°C to 85°C)
CLWT-100	112" (285 cm)	45" (114 cm)	78" (198 cm)	2000 lbs (900 kg)	12" x 12" x 12" (30 cm x 30 cm x 30 cm)	24	0 to 800 fpm (0 to 4 m/s)	52°F to 185°F (-10°C to 85°C)
CLWT-150	140" (356 cm)	50" (127 cm)	99" (251 cm)	2200 lbs (997 kg)	18" x 18" x 18" (45 cm x 45 cm x 45 cm)	24	0 to 800 fpm (0 to 4 m/s)	52°F to 185°F (-10°C to 85°C)
CLWT-200	130" (330 cm)	50" (127 cm)	124" (315 cm)	2300 lbs (1043 kg)	24" x 24" x 24" (61 cm x 61 cm x 61 cm)	24	0 to 800 fpm (0 to 4 m/s)	52°F to 185°F (-10°C to 85°C)

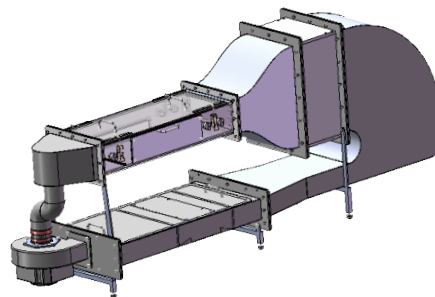
*Please note temperature ranges below ambient requires refrigeration system

CLWTC-1000™ - Wind Tunnel Controller

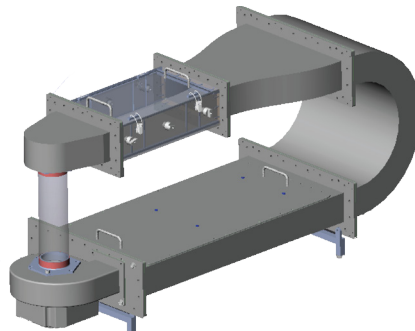
Custom-built for the CLWT-067™ and CLWT-115™ closed loop wind tunnels, the CLWTC-1000™ is designed to automatically control the air flow and temperature through the test chamber. It minimizes the chances for errors attributed to the use of multiple and/or less capable controlling devices.



CLWTC-1000™



CLWT-115™



CLWT-067™



**CLWT-100™
CLWT-150™
CLWT-200™**